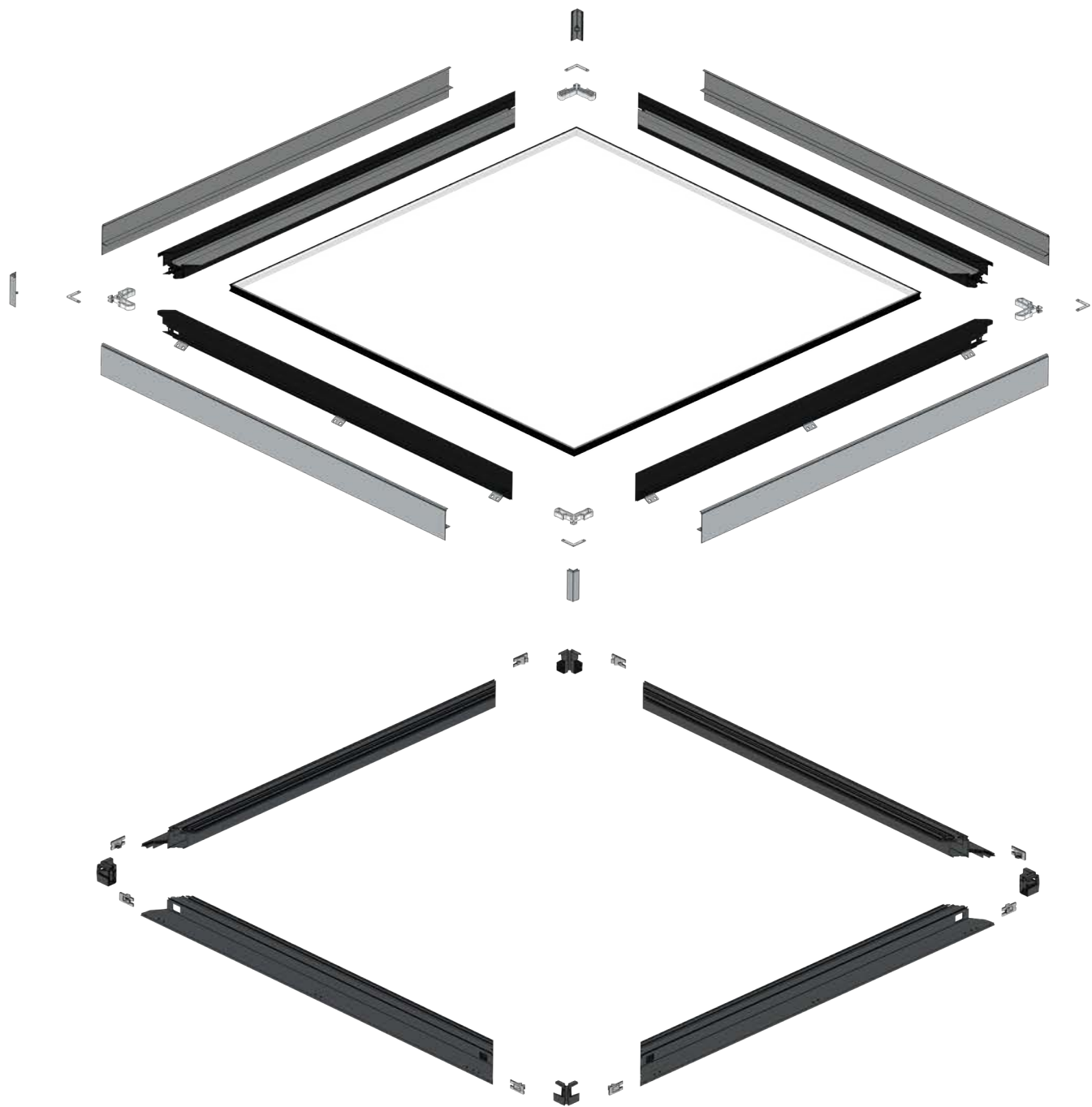




Korniche Flat Glass™

Installation Guide



TOOLS REQUIRED



Cordless Screwdriver



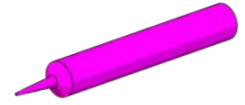
Hacksaw



Stanley Knife



Security Bit (Supplied)



Sealant

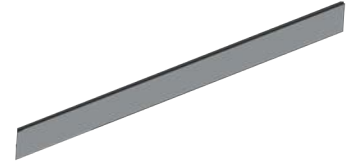
PACKAGING CONTENTS



Flat Glass Assembly



Security Screws



Cover Fascia x 4



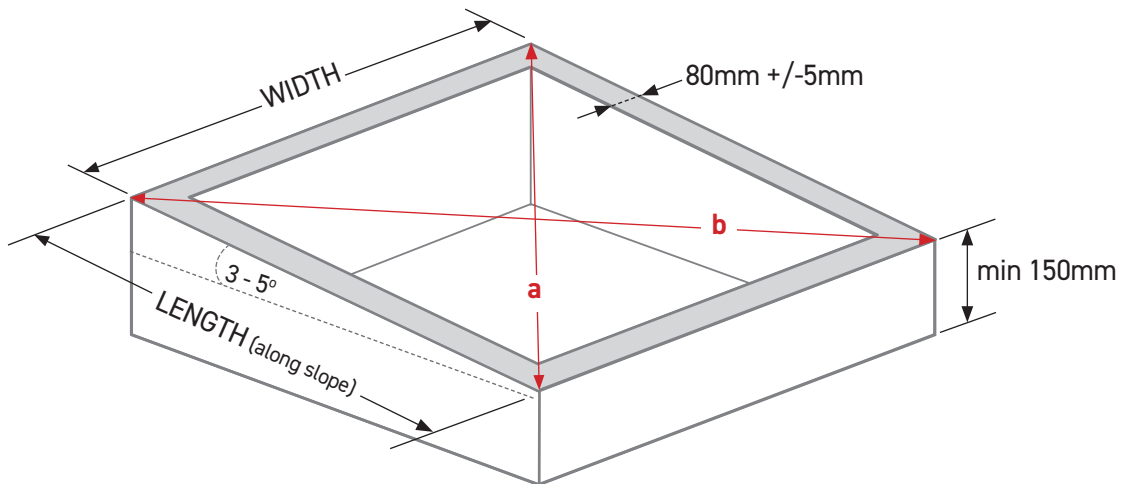
Corner Cover x 4



PVC Internal Trim x 4

PLAN VIEW OF UPSTAND TOLERANCES

a = b must be within 8mm of each other

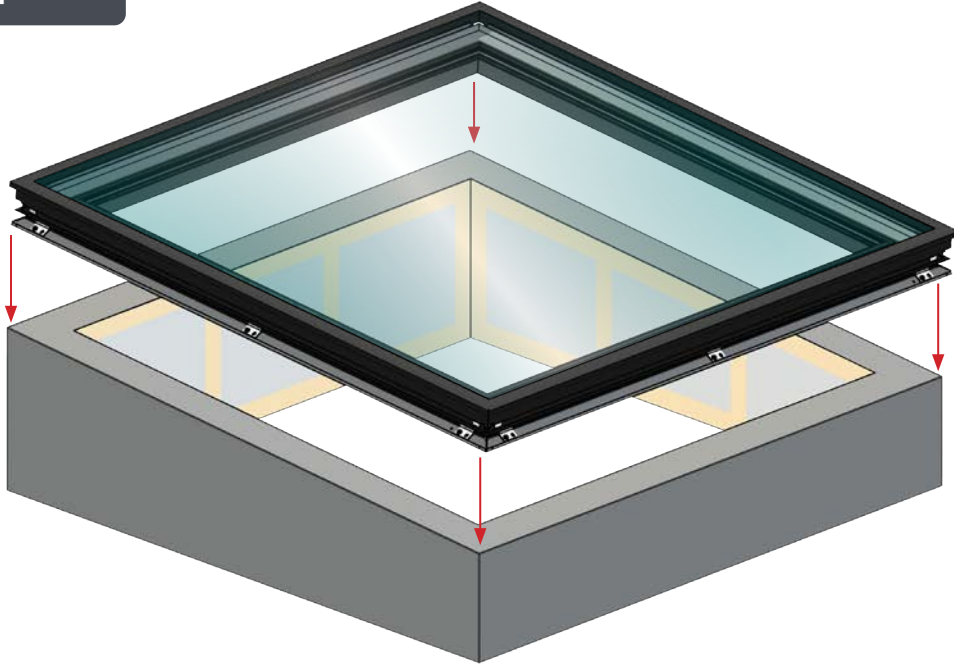


PLACEMENT

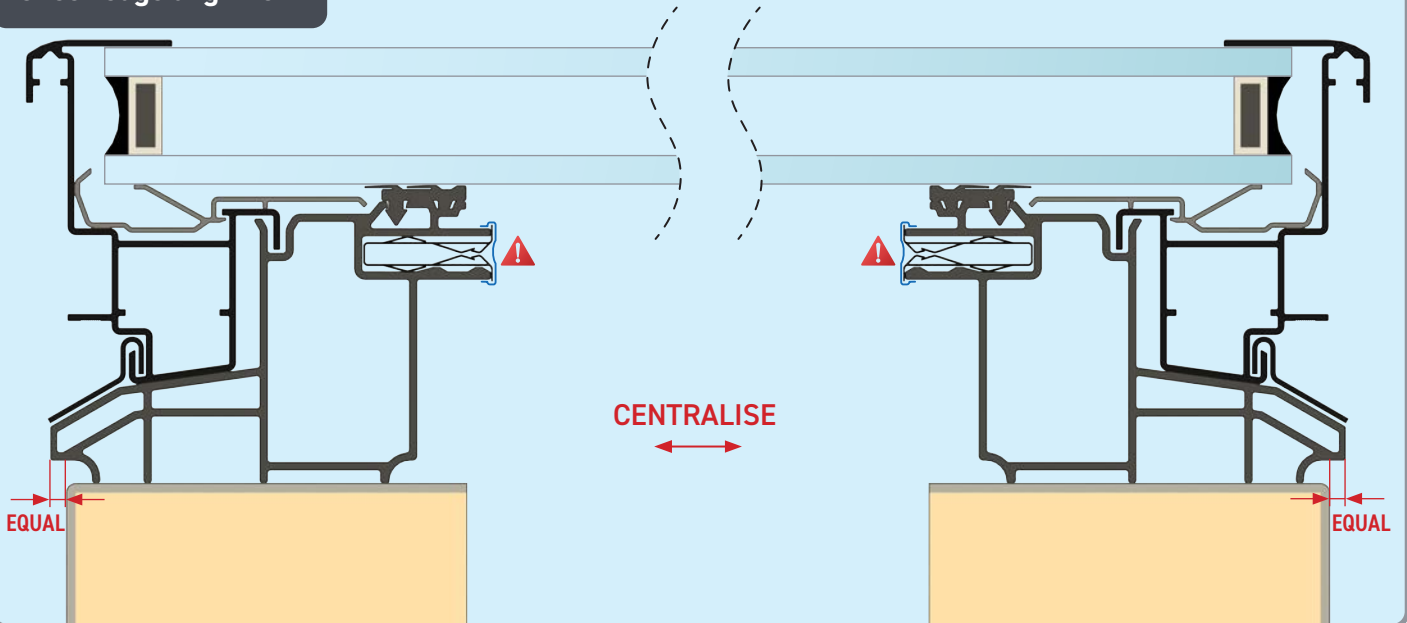
1



Position onto upstand



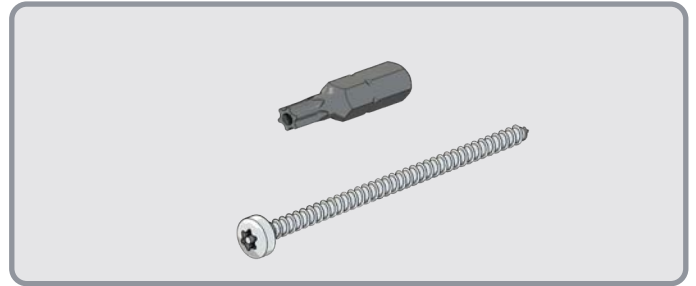
Check edge alignment



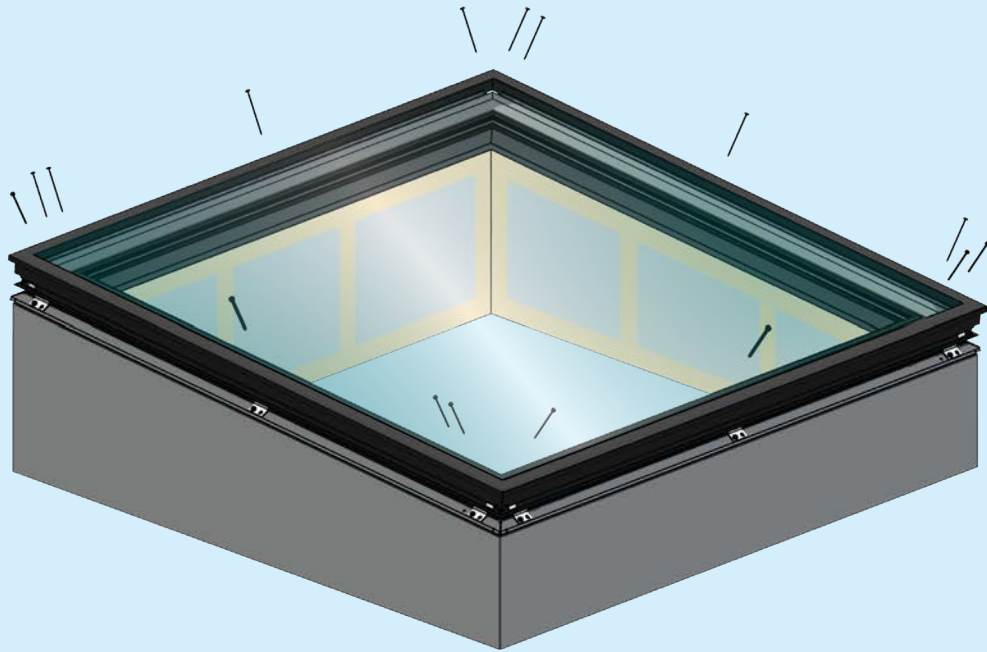
DO NOT remove protective blue tape

FIXING

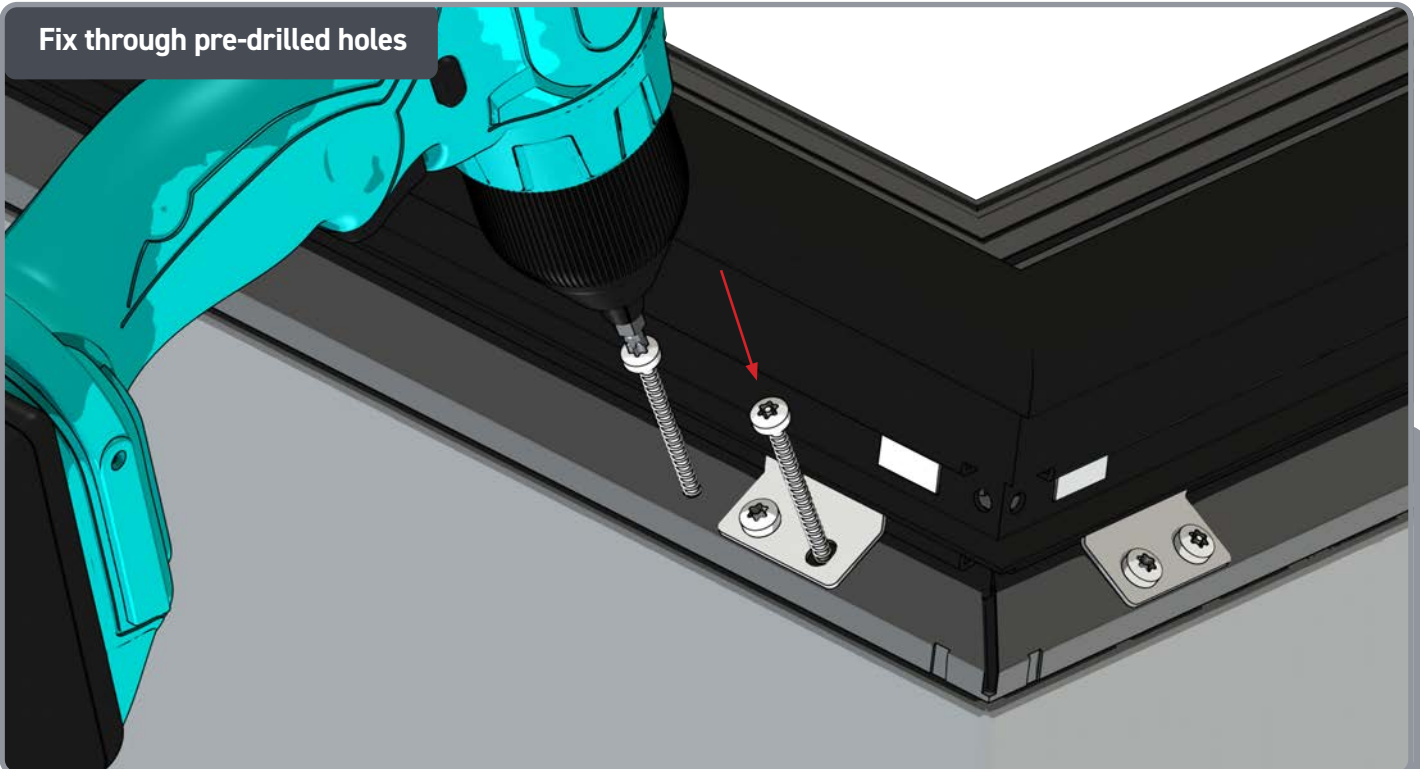
2



Fix down with supplied screws

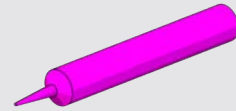


Fix through pre-drilled holes

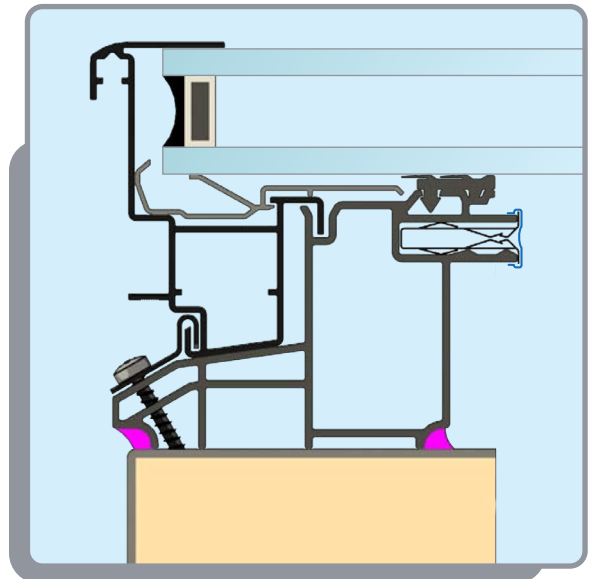
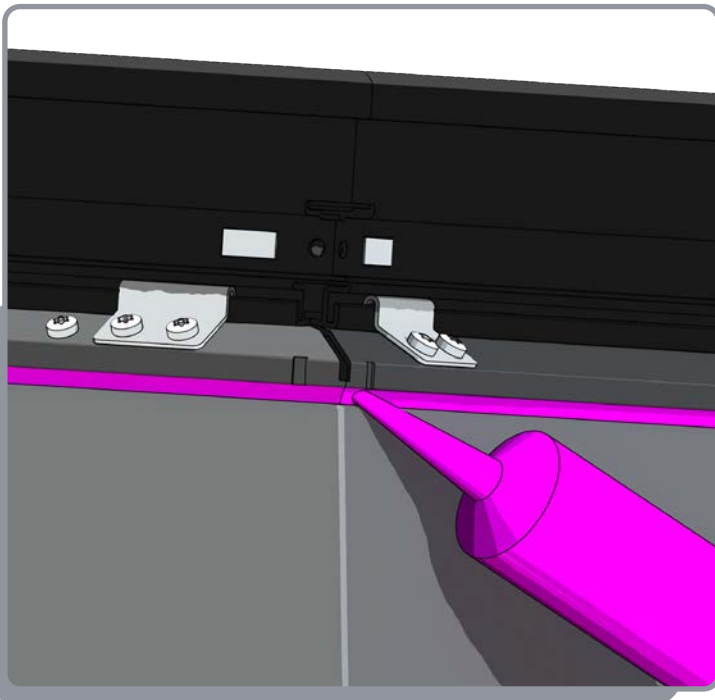
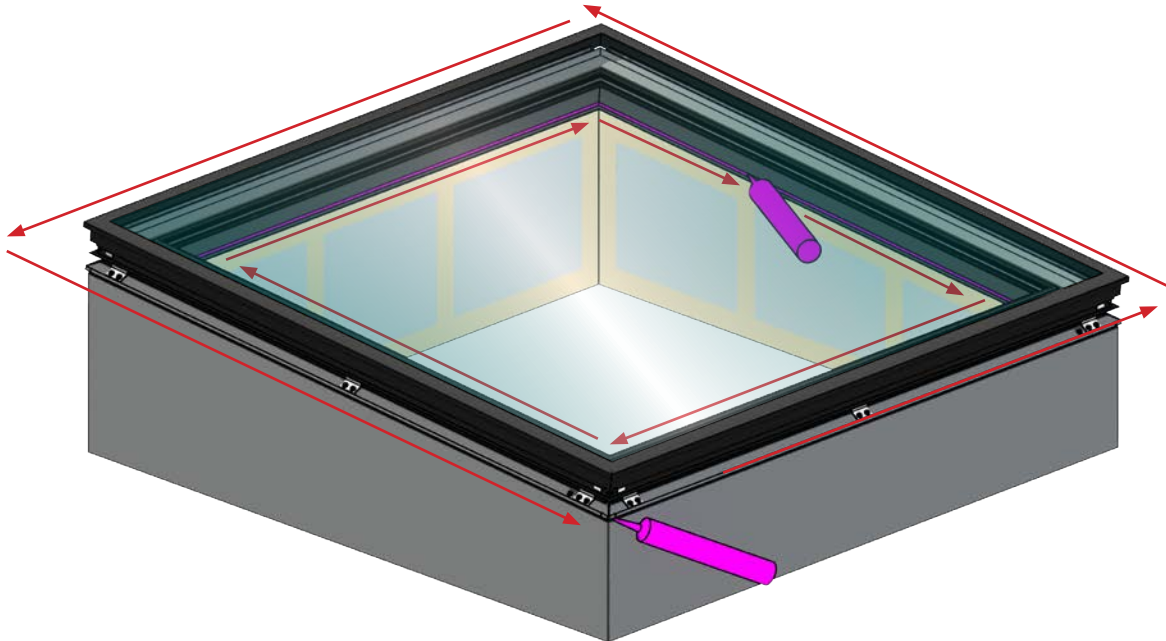


SEALING

3



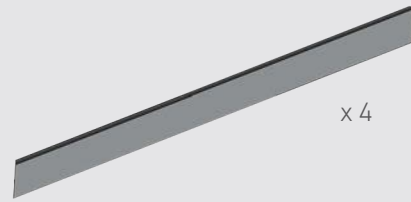
Seal where indicated



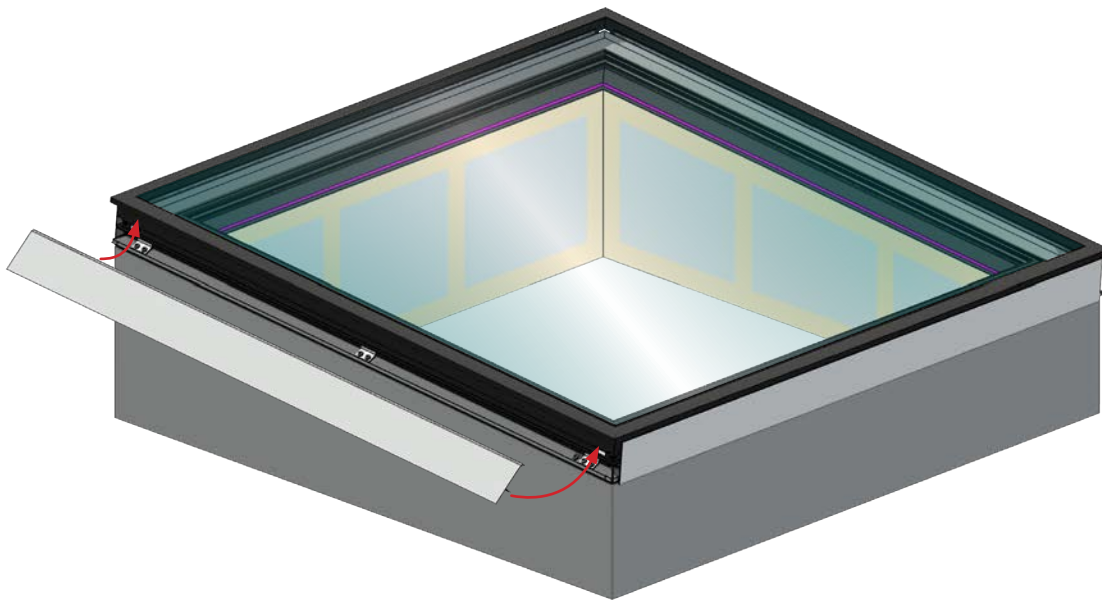
Leave no excess

INSTALLING FASCIAS

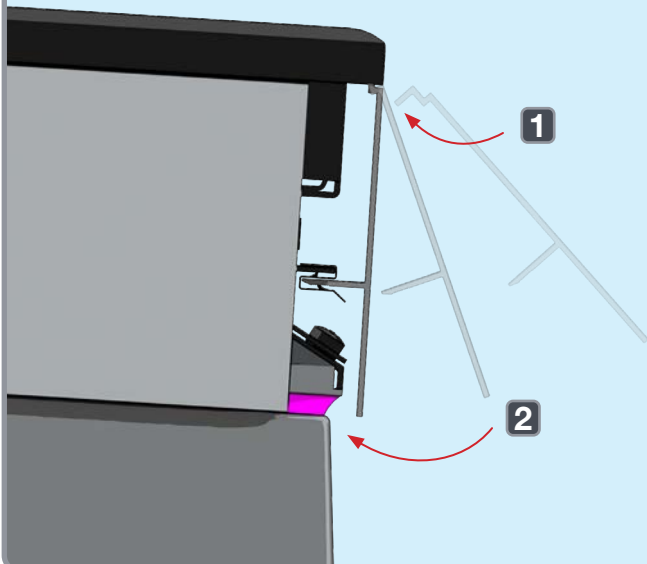
4



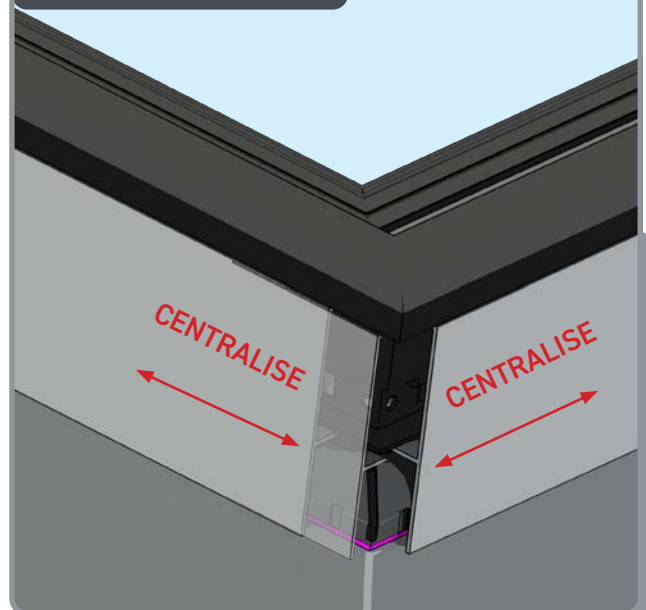
Fit fascias



Check alignment before pushing into place



Centralise to notches



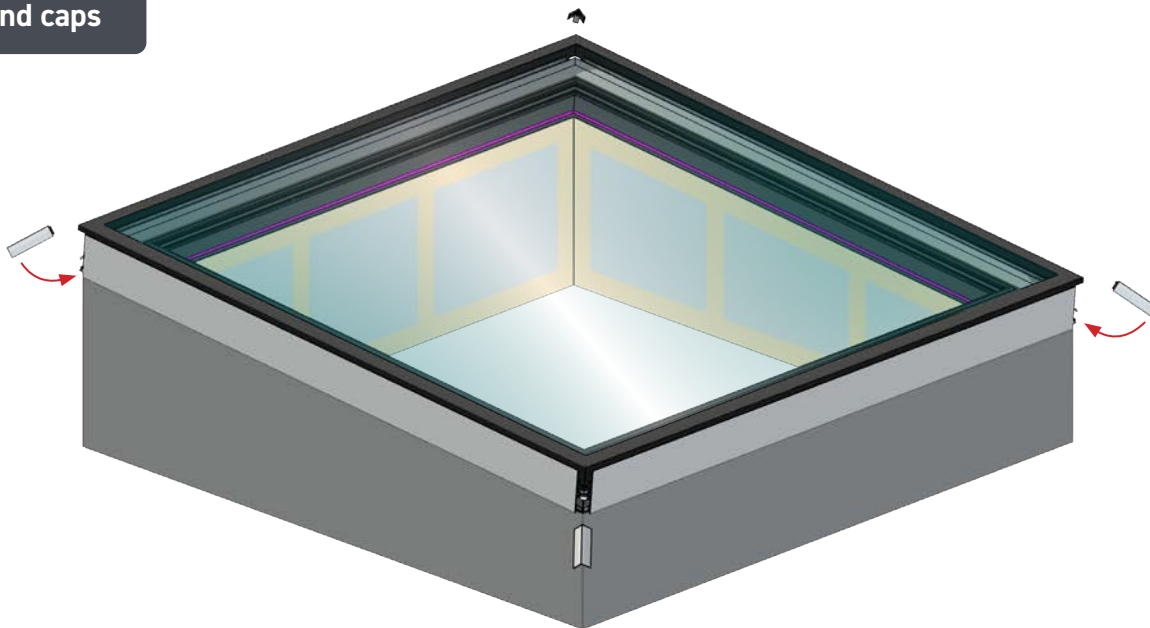
INSTALLING CORNER CAPS

5

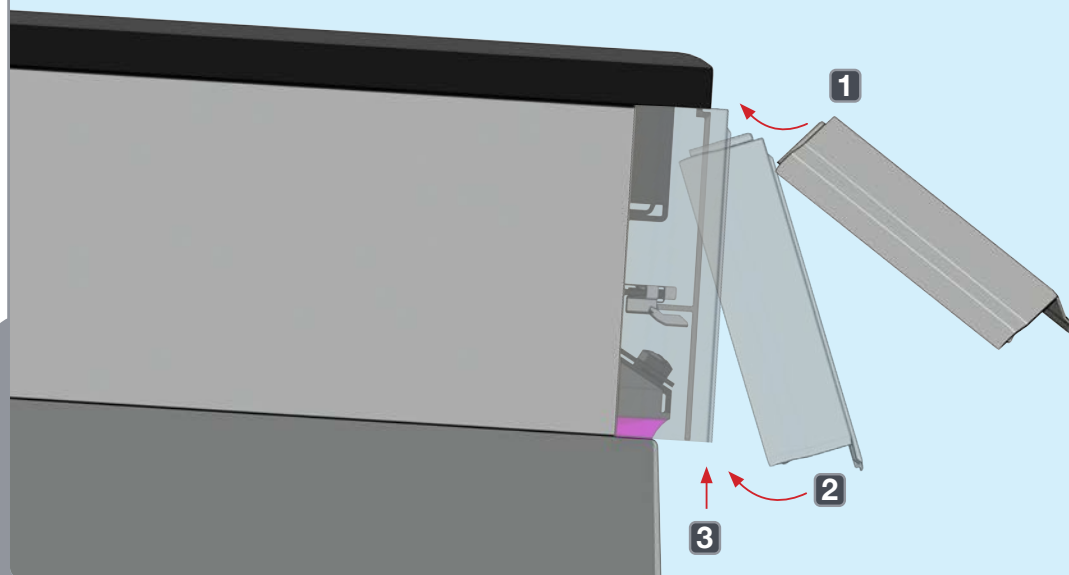


x 4

Install end caps



Position top edge of the end cap before rotating into position



Store PVC trims safely until required.

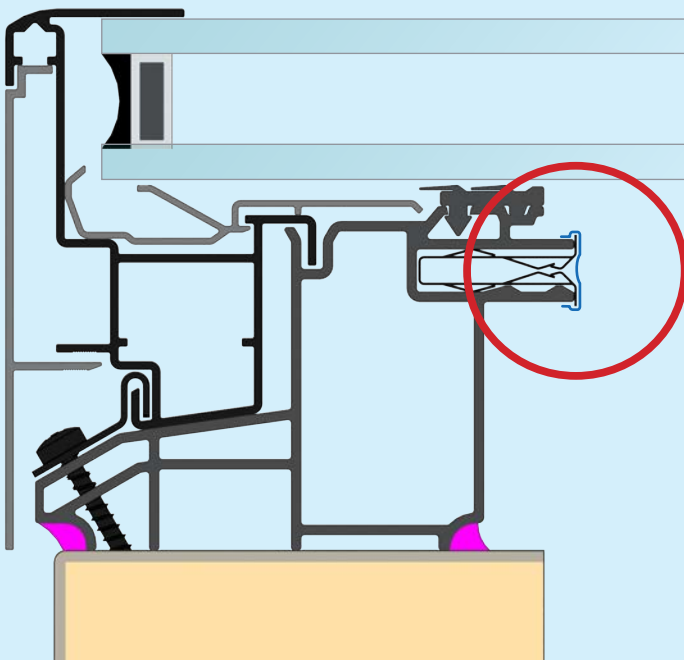
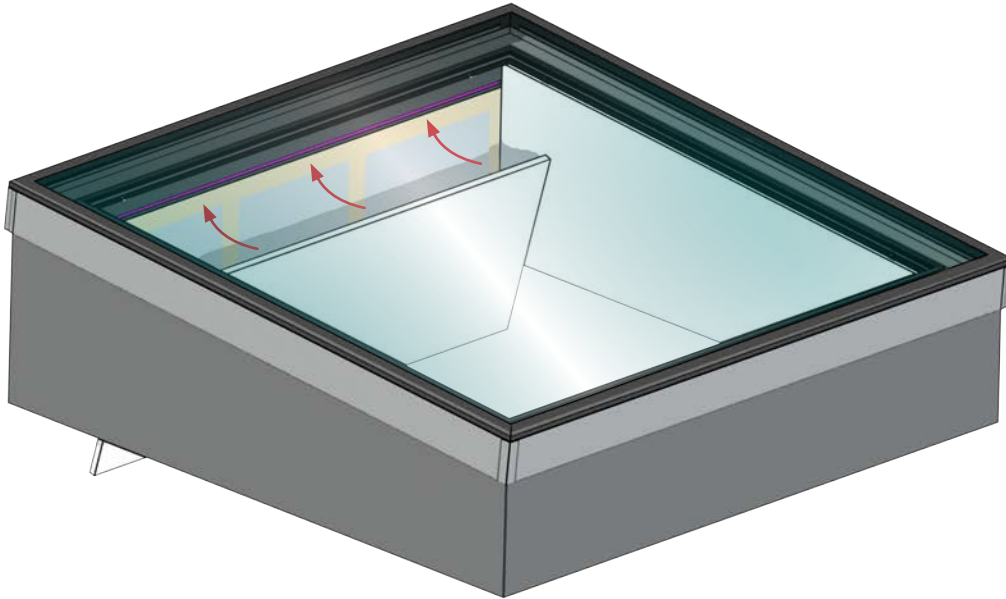
INSTALL PLASTERBOARD

6



Plasterboard
(not supplied)

Fit plasterboard



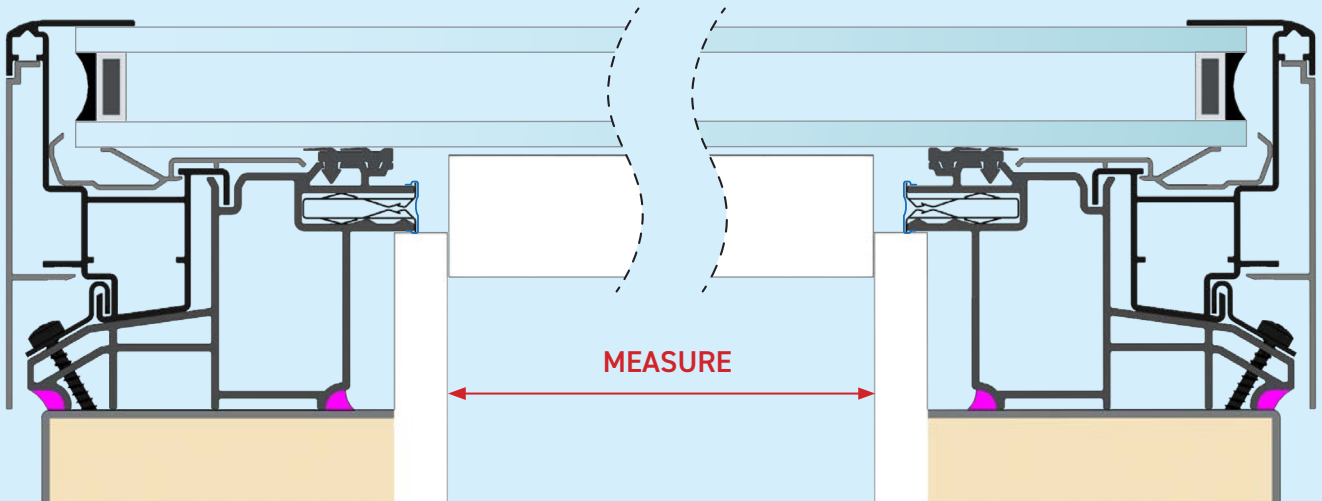
**Top of plasterboard must sit
up to this face**

CUTTING AND INSTALLING PVC TRIM WIDTHS

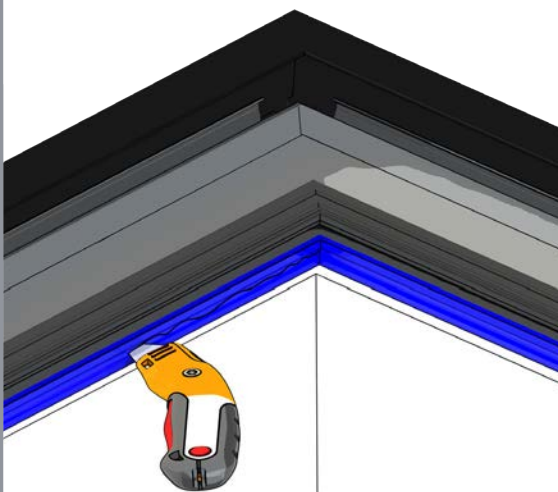
7



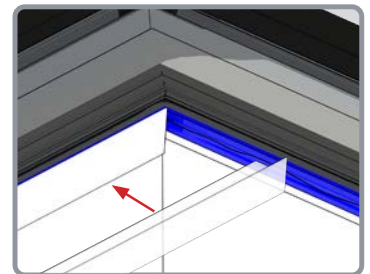
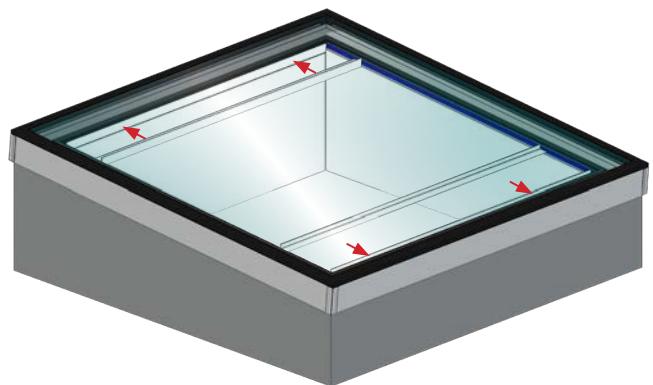
Measure between plasterboards. Cut PVC trim widths to size



Before installing trims, cut along blue tape



Install the width trims



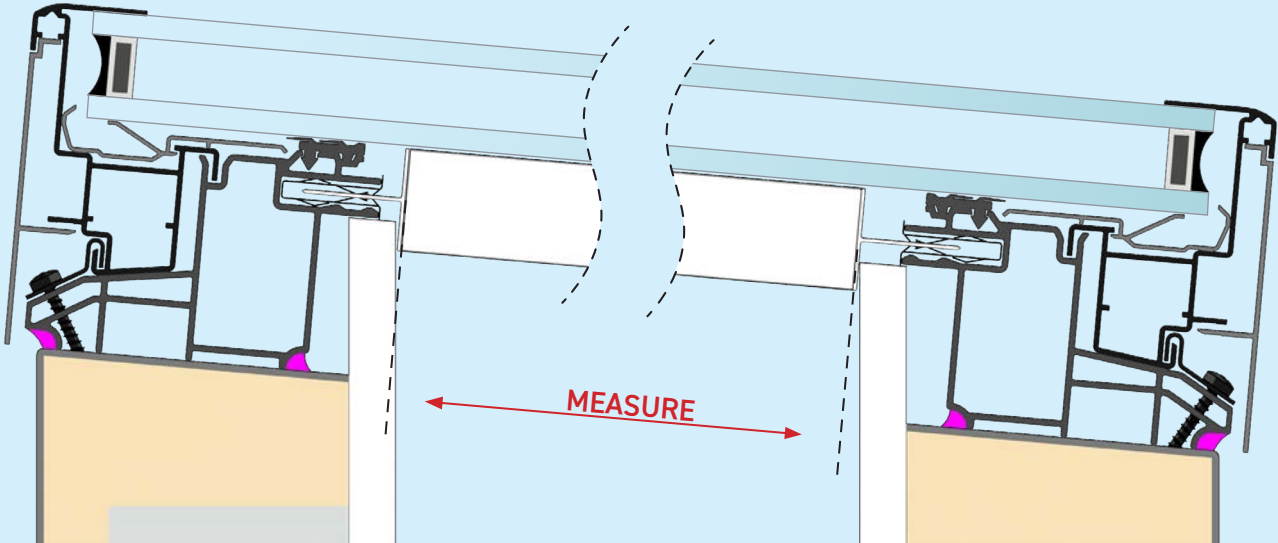
Ensure trim firmly engages with the retainer clips

CUTTING AND INSTALLING PVC TRIM LENGTHS

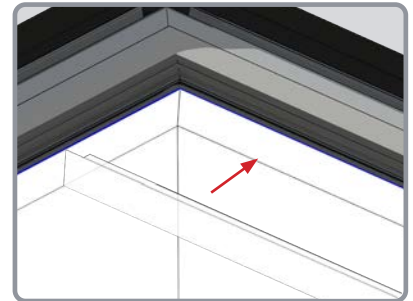
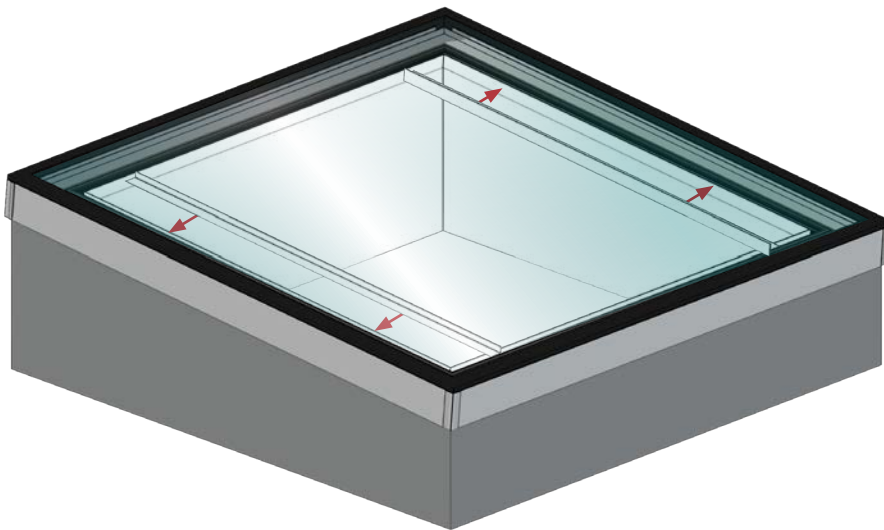
8



Measure between PVC width pieces. Cut PVC trim lengths



Install the length trims



Ensure trim firmly engages with the retainer clips

COMPONENTS LIST

Not to Scale



PAN HEAD TORX SECURITY SCREW SELF TAPPING 4.8 (No.10) x 3in
A-06118



SOCKET HEAD CAP SCREW M4 x 25 8.8 BZP
A-06124



No.10 x 1/2"mm (4.8mm x 12mm) SELF TAPPING TORX (T25) BUTTON HEAD SCREW BZP
A-06725



1/4" DRIVE T25 SECURITY TORX BIT
A-06769



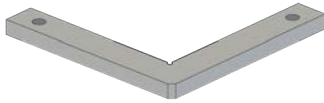
FG EAVES CORNER MOULDING
A-06114



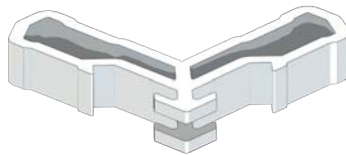
FG CORNER COVER CASTING DG MF
A-06727



FG CORNER COVER CASTING TG MF
A-06728



FG RETAINER CORNER KEY
A-06106



FG CORNER KEY
A-06122



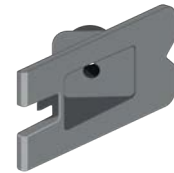
FG CORNER KEY PAWL
A-02775



FG FIXING CLIP
A-06110



FG EAVES BEAM FIXING CUP
A-06111



FG EAVES BEAM FIXING CUP THREADED
A-06112



FG COVER FASCIA CLIP
A-06720



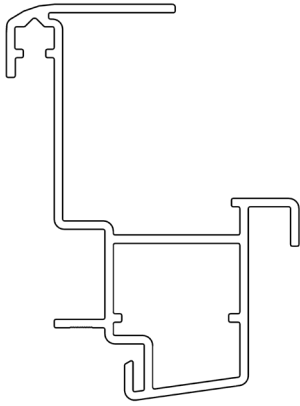
FG INTERNAL TRIM CLIP
A-06724



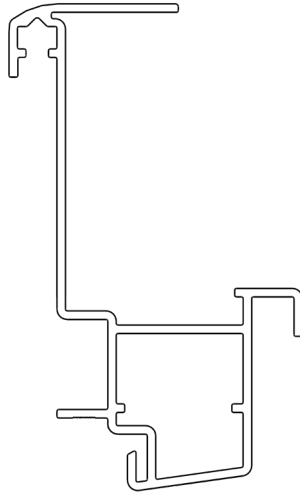
FG CORNER COVER CLIP
A-06726

COMPONENTS LIST

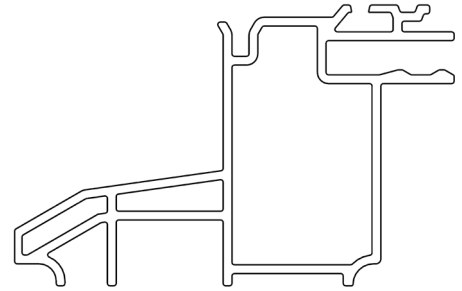
Not to Scale



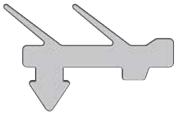
FG GLASS RETAINER PROFILE DG
A-06102



FG GLASS RETAINER PROFILE TG
A-06115



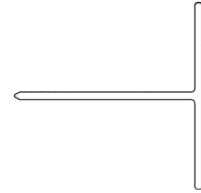
FG EAVES BEAM PROFILE
A-06103



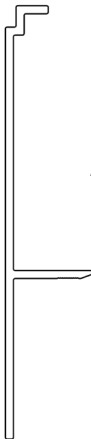
FG GLAZING RETAINER SEAL
A-06711



FG BLACK RIGID PVC GLAZING SHOE PROFILE
A-06109



FG WHITE INTERNAL TRIM PVC PROFILE
A-06719



FG COVER FASCIA PROFILE DG MF
A-06104



FG COVER FASCIA PROFILE TG MF
A-06116

